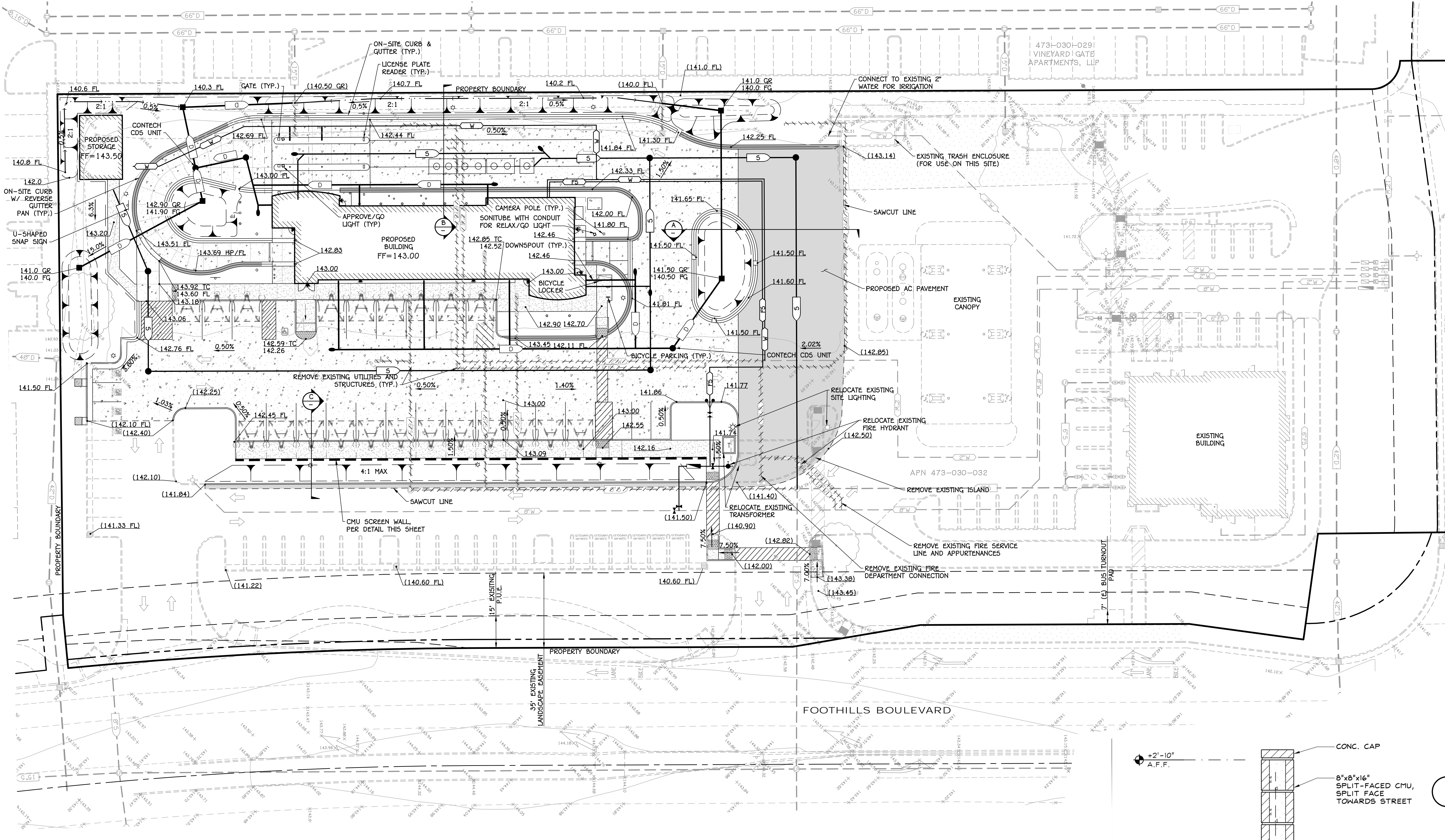
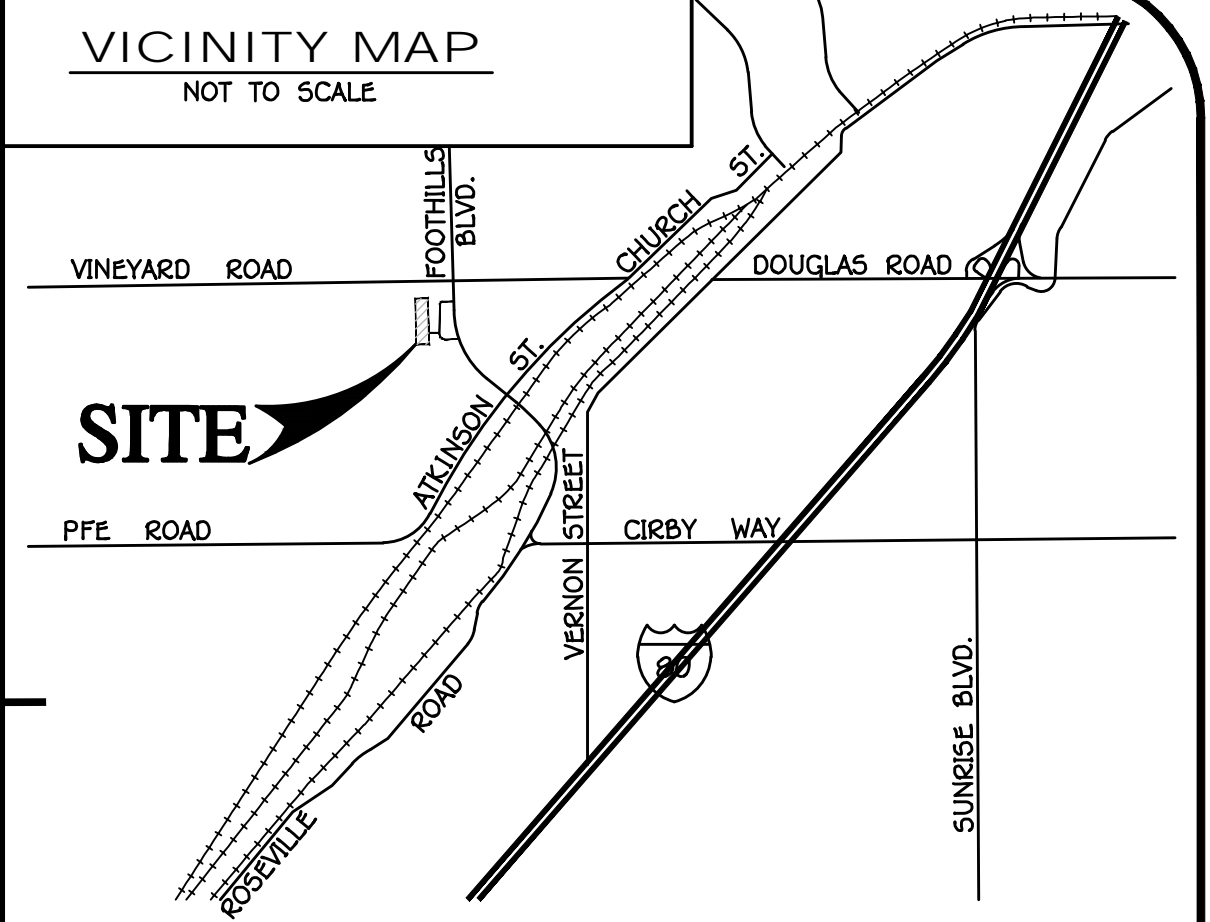
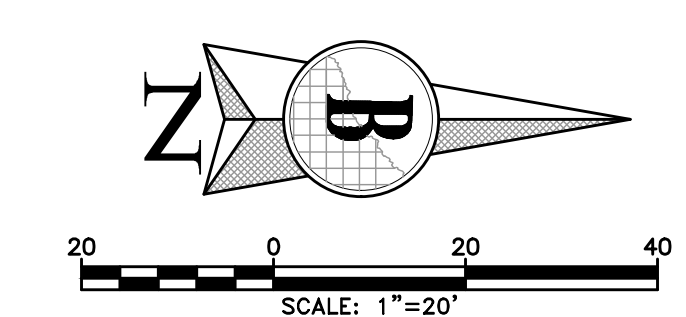
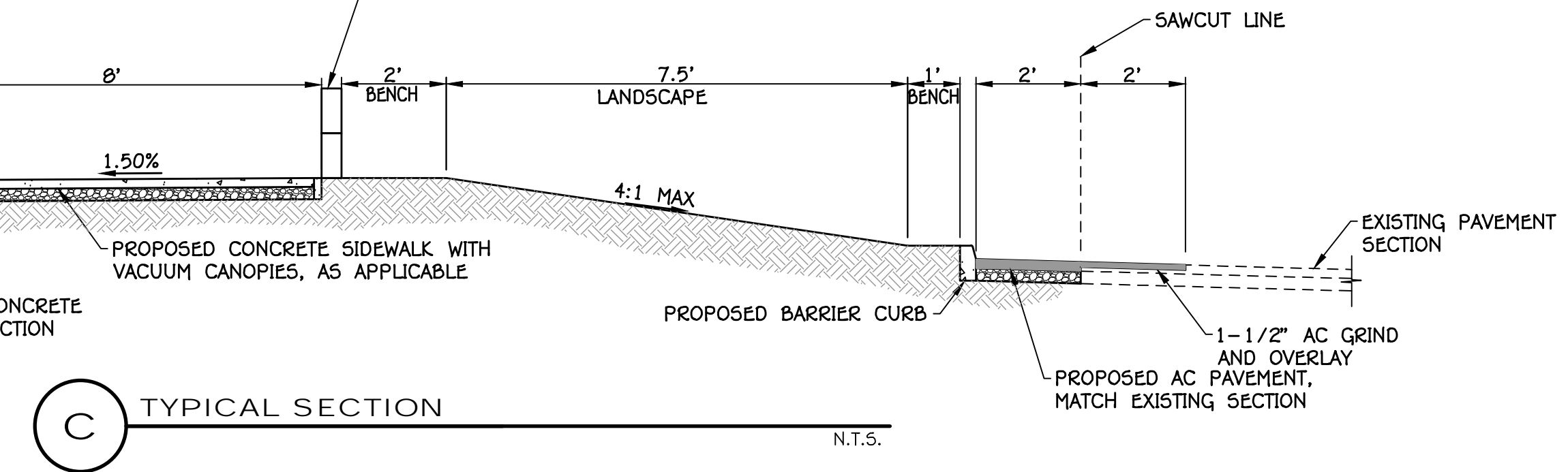
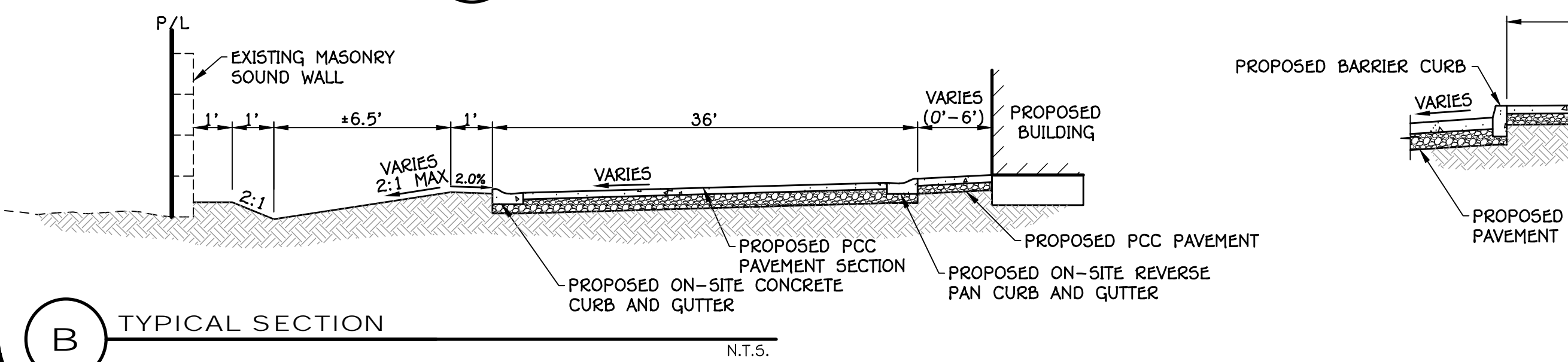
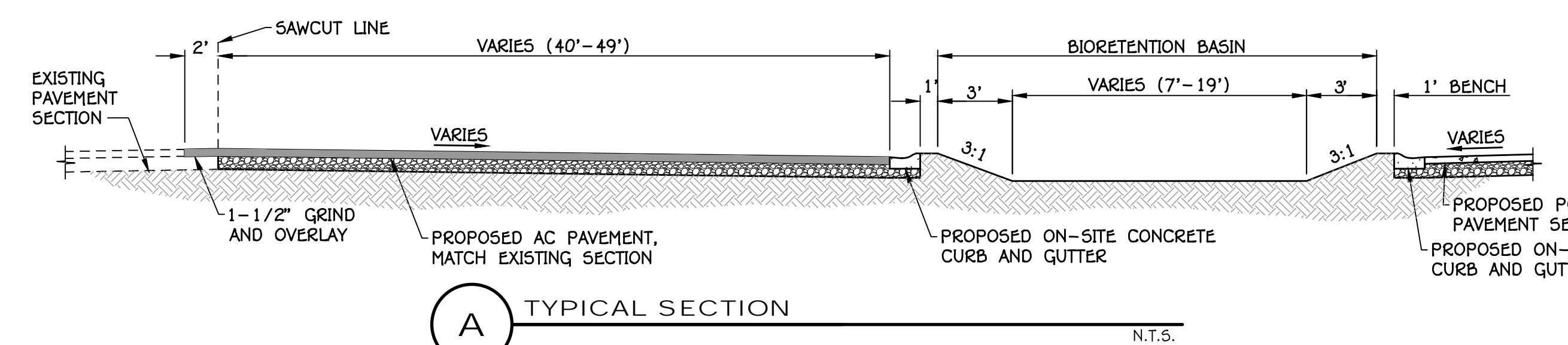
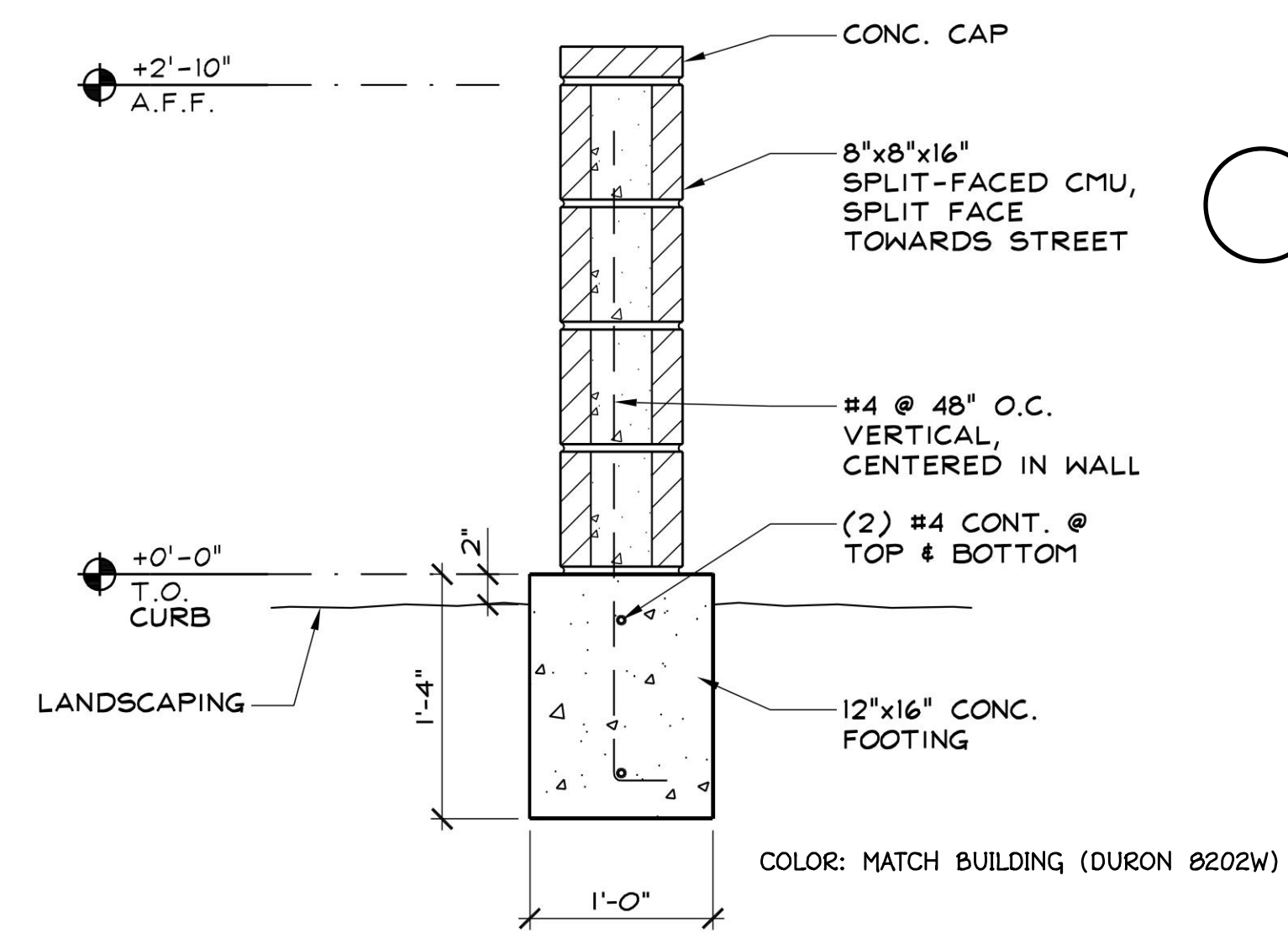
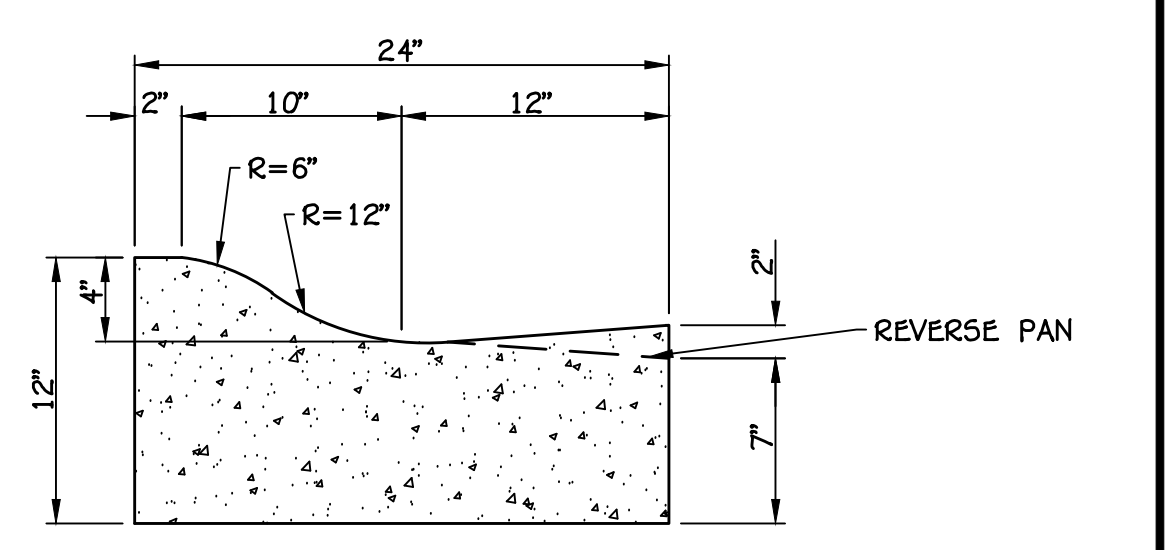


PRELIMINARY GRADING AND UTILITY PLAN FOR:
PARMAR - ROSEVILLE
2990 FOOTHILLS BOULEVARD

CITY OF ROSEVILLE CALIFORNIA



LEGEND
DESCRIPTIONS (P) PROPOSED (E) EXISTING
STORM DRAIN 12" D 12" D
SANITARY SEWER 6" S 6" S
WATER MAIN 8" W 8" W
FIRE SERVICE 8" FS 8" FS
CENTERLINE
RIGHT OF WAY LINE
BOUNDARY LINE
ELECTRICAL LINE
GAS LINE
TELEPHONE LINE
JOINT TRENCH
SIDEWALK WITH CURB AND GUTTER
VARIABLE CURB FACE
EDGE OF PAVEMENT
MANHOLE
DRAIN INLET
SEWER CLEANOUT
METERED WATER SERVICE
POST INDICATOR VALVE
FIRE HYDRANT
FIRE DEPT. CONNECTION
BLOWOFF VALVE
GATE VALVE
BUTTERFLY VALVE
REDUCED PRESSURE BACKFLOW PREVENTOR
DOUBLE DETECTOR CHECK VALVE
TYPE 'A' STREET LIGHT
TYPE 'B' STREET LIGHT
TRANSFORMER
PULLBOX
PEDESTAL & SERVICE CAN
UTILITY SERVICE PEDESTAL
UTILITY POLE
GUY WIRE
4 SIDED STREET SIGN
SIGN
GRADE BREAK
DIRECTION OF FLOW
SWALE
ELEVATION
2:1 SLOPE UNLESS NOTED OTHERWISE



PRELIMINARY GRADING AND UTILITY PLAN FOR:
PARMAR - ROSEVILLE
2990 FOOTHILLS BOULEVARD
NOVEMBER, 2020
REVISED JULY 14, 2021